

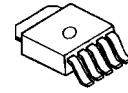
LOW DROPOUT VOLTAGE REGULATOR WITH ON/OFF CONTROL

■ GENERAL DESCRIPTION

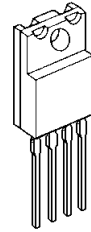
The NJM2388 is low dropout voltage regulator with ON/OFF control. The output current is up to 1.0A and dropout voltage is 0.2V typ. at $I_o=0.5A$.

The NJM2388 is suitable for power module, TV, Display, car stereo and low power applications.

■ PACKAGE OUTLINE



NJM2386DL2

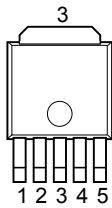


NJM2388F

■ FEATURE

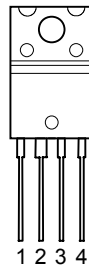
- Low Dropout Voltage 0.2V typ. at $I_o=0.5A$
- Output Current $I_o(max.)=1.0A$
- ON/OFF Control (Active High)
- Internal Short Circuit Current Limit
- Internal Thermal Overload Protection
- Bipolar Technology
- Package Outline TO-252-5(NJM2386), TO-220F-4(NJM2388)

■ PIN CONFIGURATION



NJM2386DL2

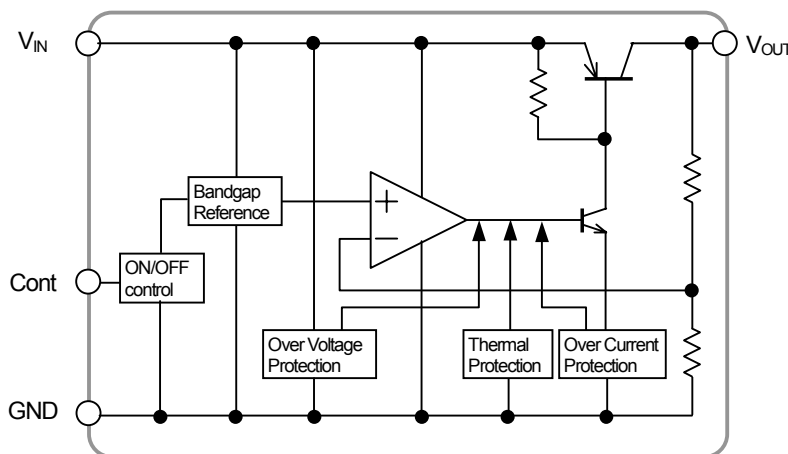
- PIN FUNCTION**
1. V_{IN}
 2. ON/OFF CONTROL
 3. V_{OUT}
 4. N.C.
 5. GND



NJM2388F

- PIN FUNCTION**
1. V_{IN}
 2. V_{OUT}
 3. GND
 4. ON/OFF CONTROL

■ EQUIVALENT CIRCUIT



NJM2386/88

■ OUTPUT VOLTAGE RANK LIST

Device Name	V _{OUT}
NJM2386DL2-33	3.3V
NJM2386DL2-05	5.0V
NJM2386DL2-63	6.3V
NJM2386DL2-08	8.0V
NJM2386DL2-09	9.0V
NJM2386DL2-12	12.0V

Device Name	V _{OUT}
NJM2388F33	3.3V
NJM2388F05	5.0V
NJM2388F63	6.3V
NJM2388F08	8.0V
NJM2388F84	8.4V
NJM2388F09	9.0V
NJM2388F12	12.0V

■ ABSOLUTE MAXIMUM RATINGS

(Ta=25°C)

PARAMETER	SYMBOL	RATINGS		UNIT
Input Voltage	V _{IN}	+35		V
Control Voltage	V _{CONT}	+35(*1)		V
Output Current	I _o	1.0		A
Power Dissipation	P _D	NJM2386	10(Tc<25°C) / 1(Ta<25°C)	W
		NJM2388	18(Tc<50°C)	
Operating Junction Temperature Range	T _j	-40 ~ +150		°C
Operating Temperature Range	T _{opr}	-40 ~ +85		°C
Storage Temperature Range	T _{stg}	-50 ~ +150		°C

(*1): When input voltage is less than +35V, the absolute maximum control voltage is equal to the input voltage.

■ ELECTRICAL CHARACTERISTICS (V_{IN}=V_O+1V, I_o=0.5A, C_{IN}=0.33μF, C_o=22μF, Ta=25°C)

Measurement is to be conducted is pulse testing.

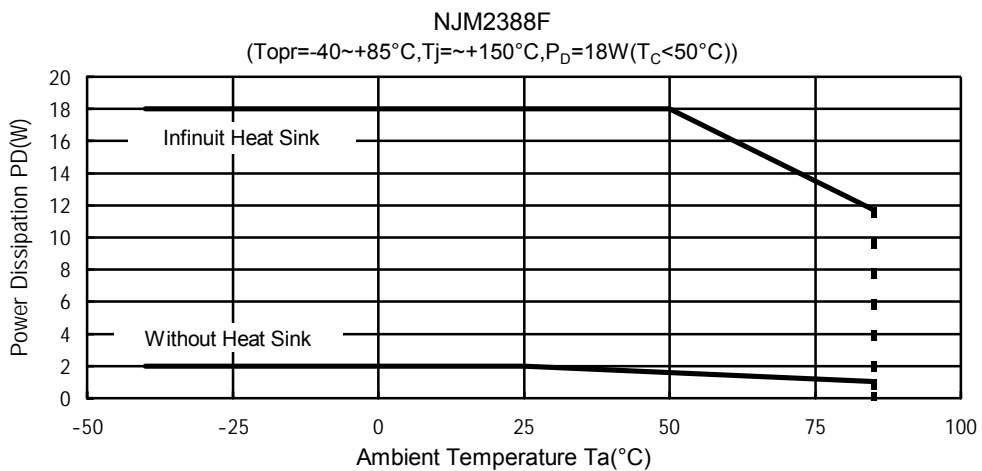
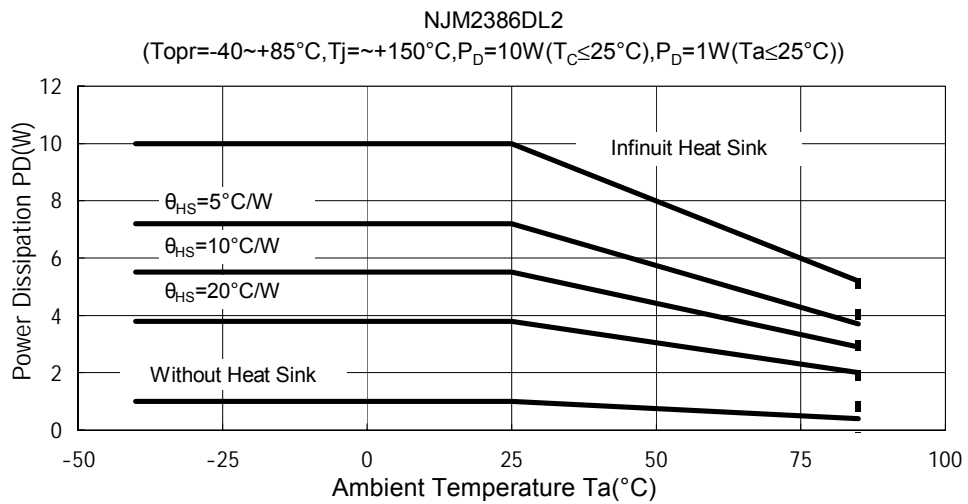
PARAMETER	SYMBOL	CONDITIONS	MIN.	TYP.	MAX.	UNIT	
Output Voltage	V _o	V _{IN} =V _O +1V	-2%	-	+2%	V	
Line Regulation	ΔV _o -V _{IN}	V _{IN} =V _O +1V ~ V _O +17V	-	0.04	0.16	%/V	
Load Regulation	ΔV _o -I _o	V _{IN} =V _O +2V, I _o =0A ~ 1.0A	-	0.2	1.4	%/A	
Average Temperature Coefficient of Output Voltage	ΔV _o /ΔT	T _j =0 ~ +125°C	-	±0.02	-	%/°C	
Quiescent Current	I _Q	I _o =0A	-	-	5	mA	
Dropout Voltage	ΔV _{I-O}	I _o =0.5A	-	0.2	0.5	V	
Ripple Rejection	RR	V _{IN} =V _O +2V, e _{in} =0.5Vrms, f=120Hz	54	67	-	dB	
							NJM238**33
							NJM238**05
							NJM238**63
							NJM238**08
							NJM238**84
							NJM238**09
NJM238**12							
ON Control Voltage	V _{CONT(ON)}		2.0(*2)	-	-	V	
OFF Control Voltage	V _{CONT(OFF)}		-	-	0.4	V	
ON Control Current	I _{CONT(ON)}	V _C =2.7V	-	-	20	μA	
OFF Control Current	I _{CONT(OFF)}	V _C =0.4V	-	-	-20	μA	

(*2): When ON/OFF CONTROL Terminal is open, Output Voltage is ON.

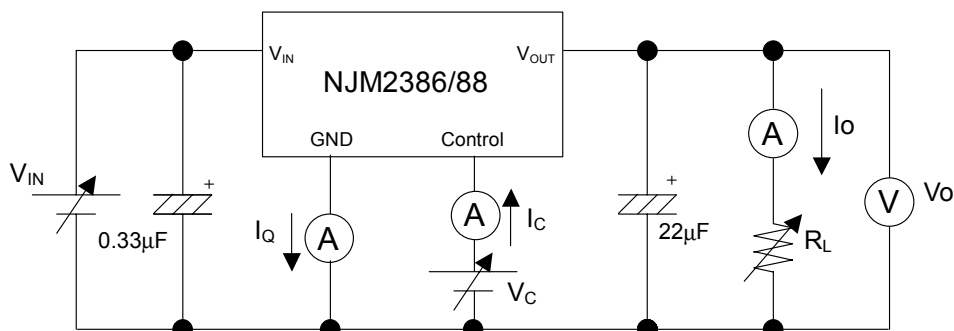
■ THERMAL CHARACTERISTICS

			NJM2386 (TO-252-5)	NJM2388 (TO-220F-4)	
Thermal Resistance	Junction-to-Ambient Temperature	θ_{ja}	125	60	$^{\circ}\text{C}/\text{W}$
	Junction to case	θ_{jc}	12.5	5	

■ POWER DISSIPATION vs. AMBIENT TEMPERATURE



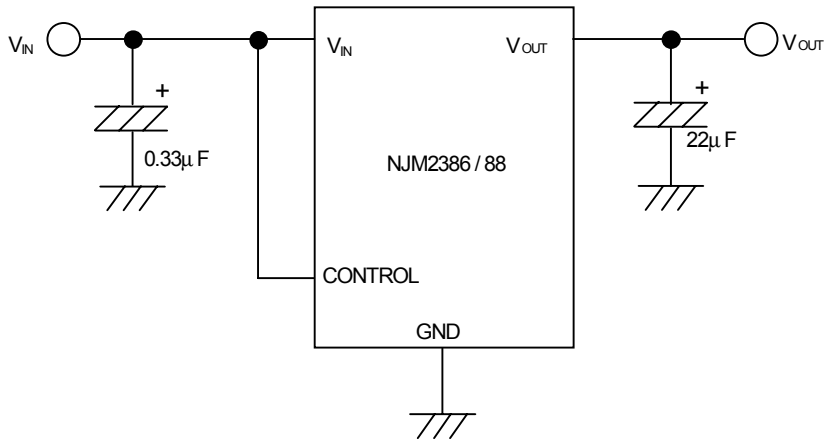
■ TEST CIRCUIT



NJM2386/88

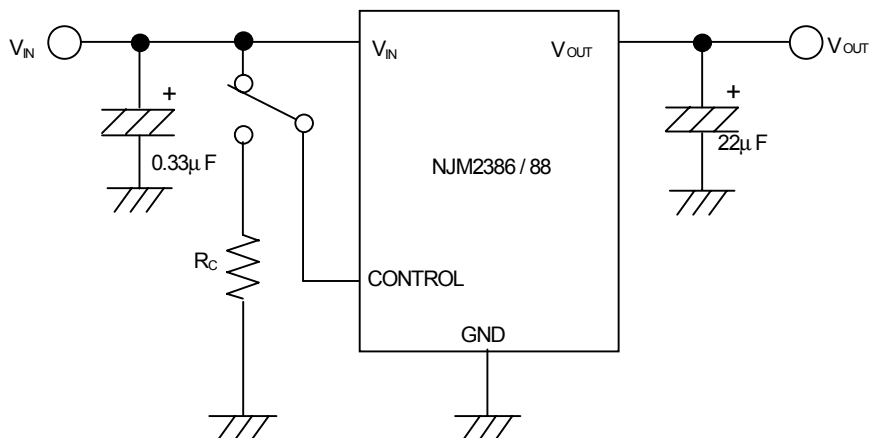
■ TYPICAL APPLICATION

① In the case where ON/OFF Control is not required:



Connect control terminal to V_{IN} terminal or open.

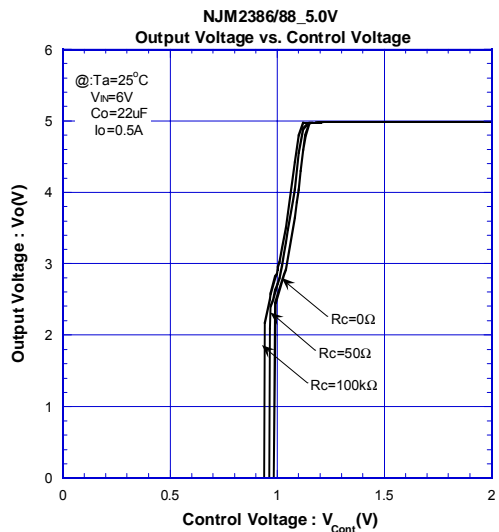
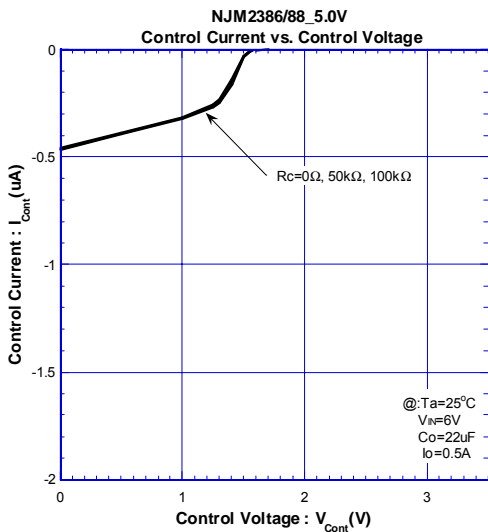
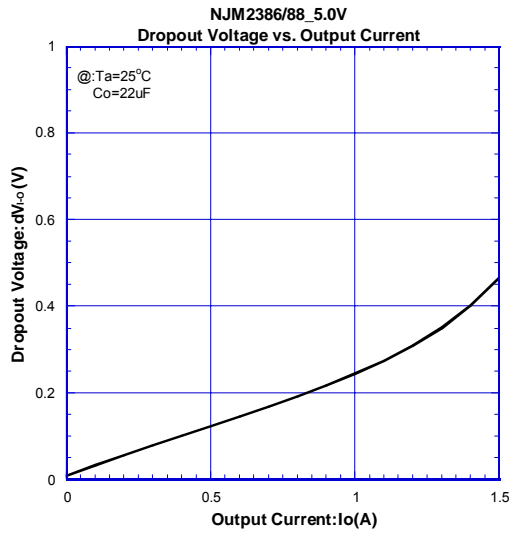
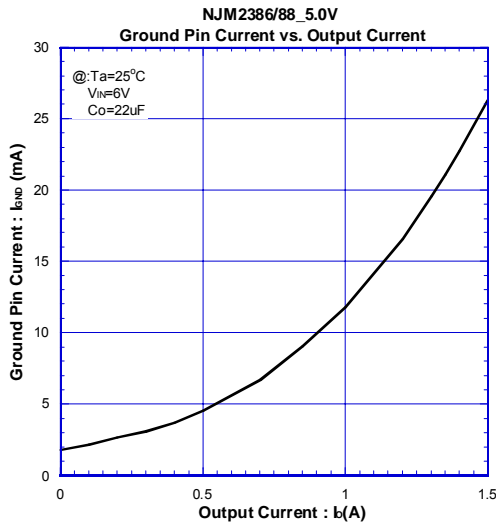
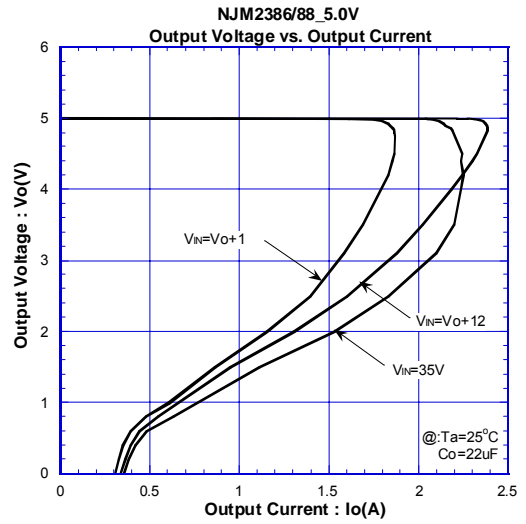
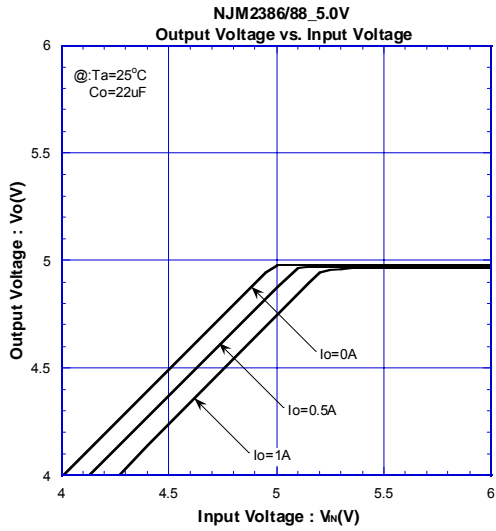
② In use of ON/OFF CONTROL:



State of control terminal:

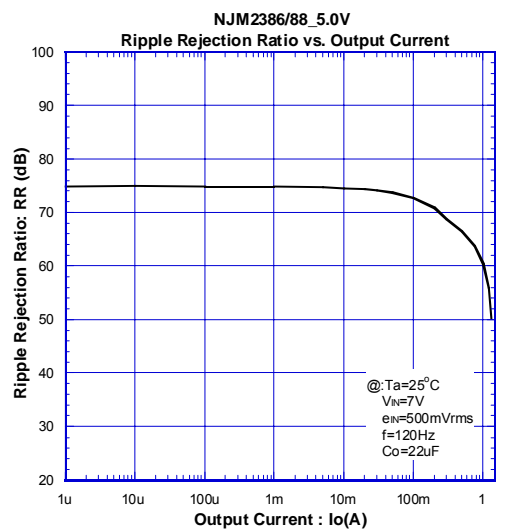
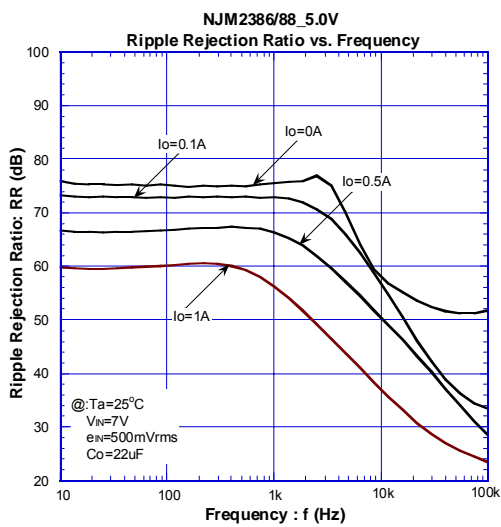
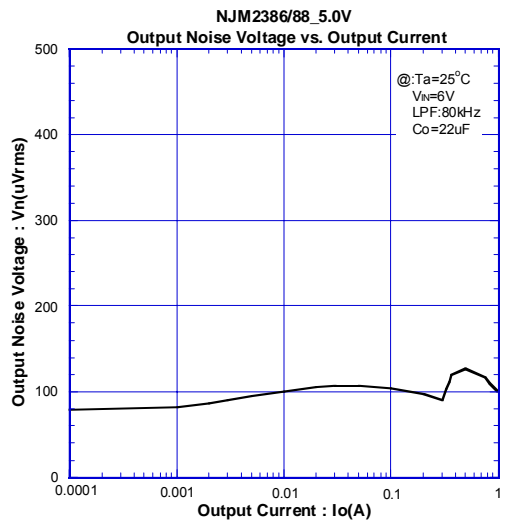
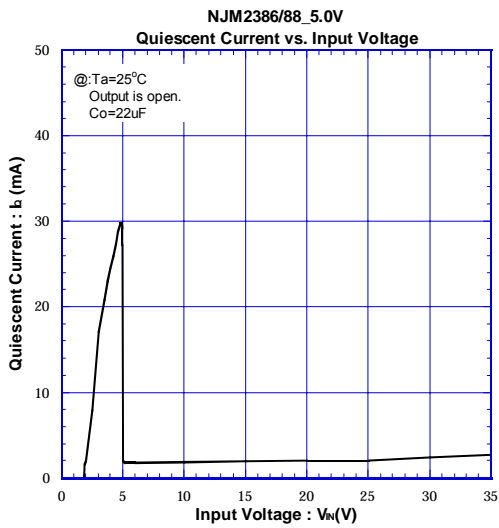
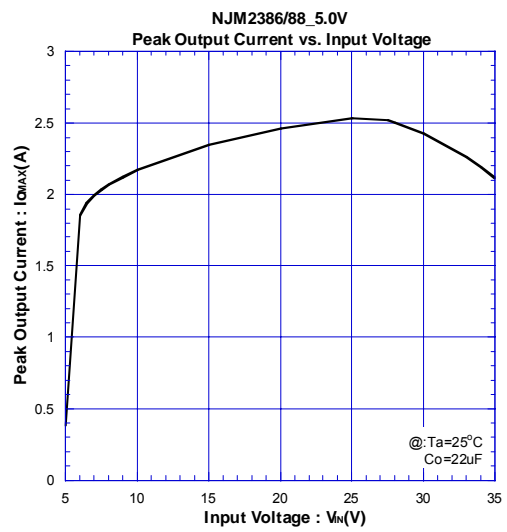
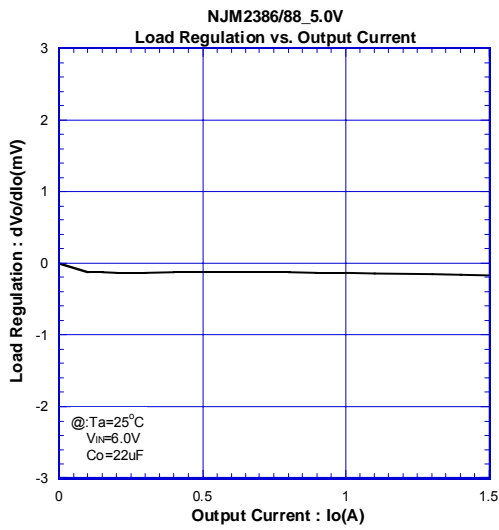
- “H” or “open” → output is enabled.
- “L” → output is disabled.

TYPICAL CHARACTERISTICS

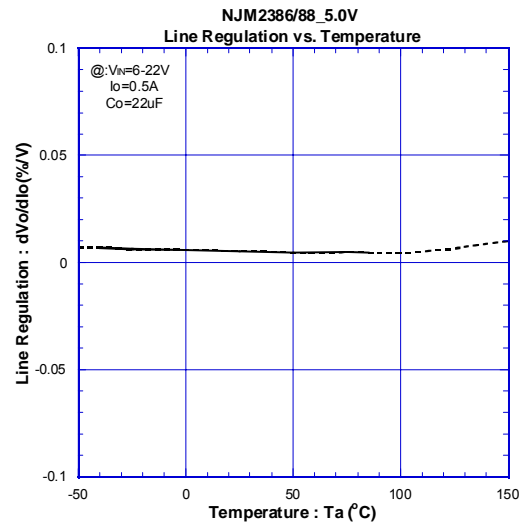
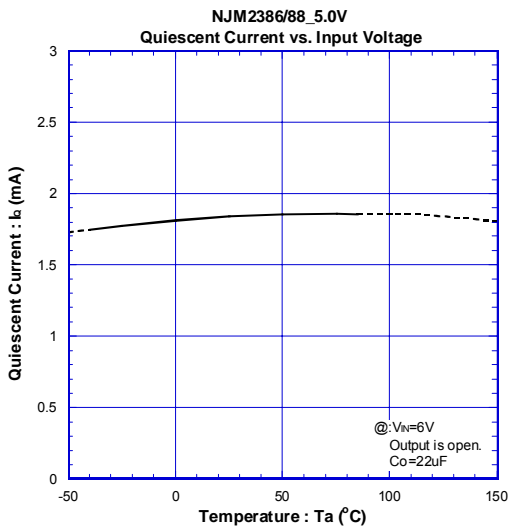
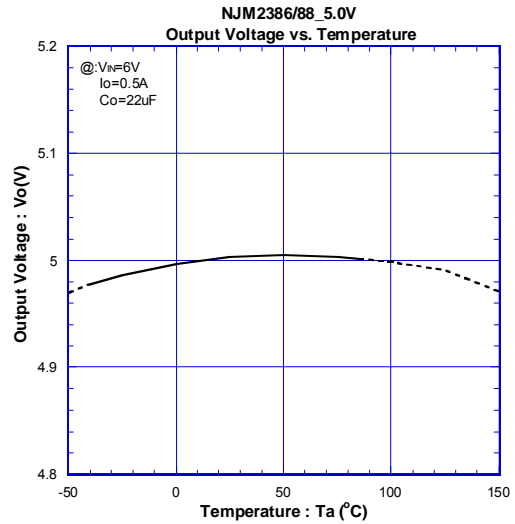
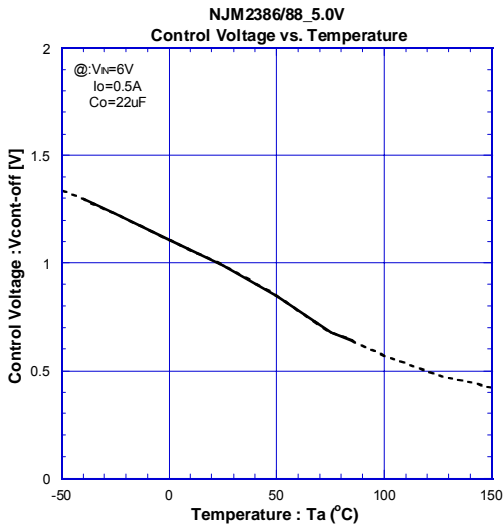
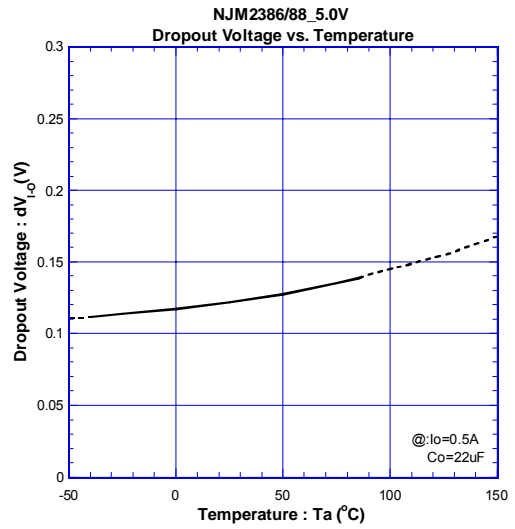
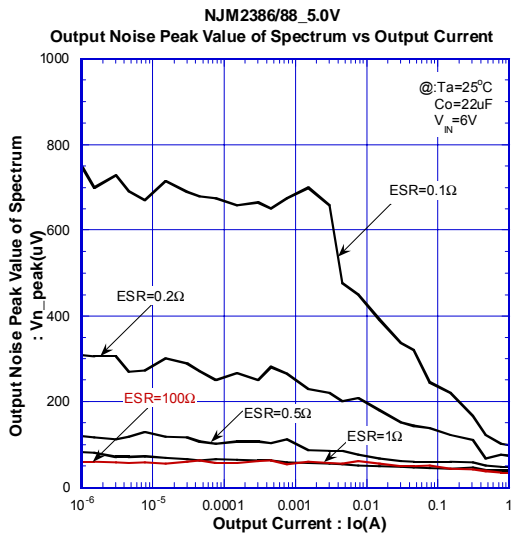


NJM2386/88

TYPICAL CHARACTERISTICS

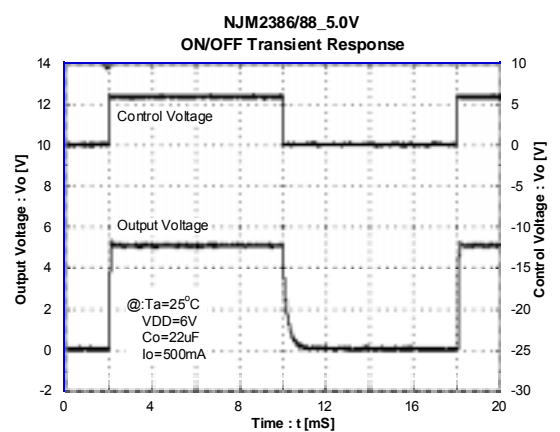
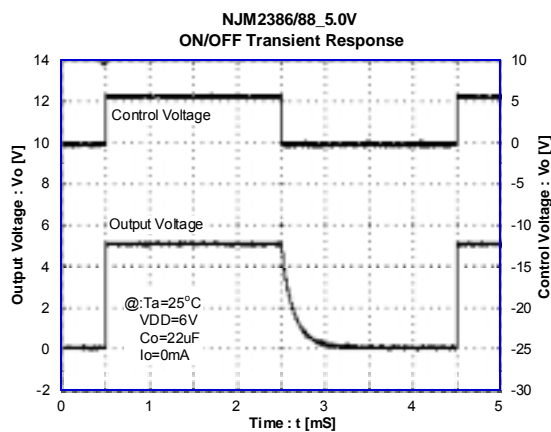
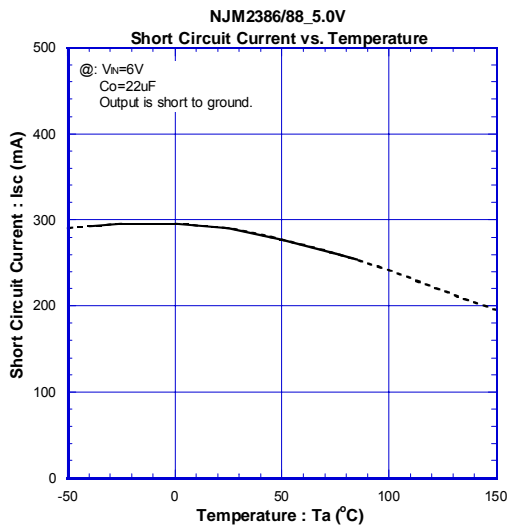
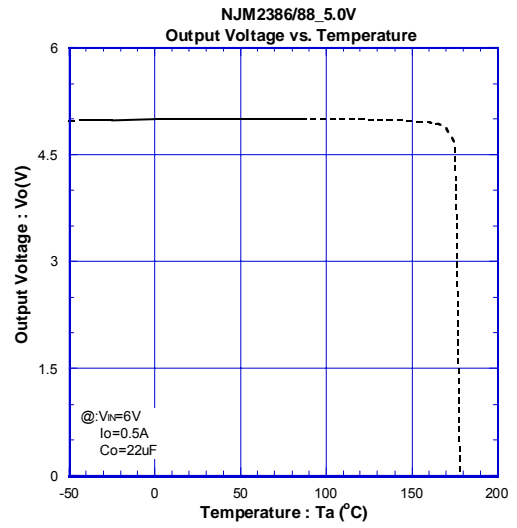
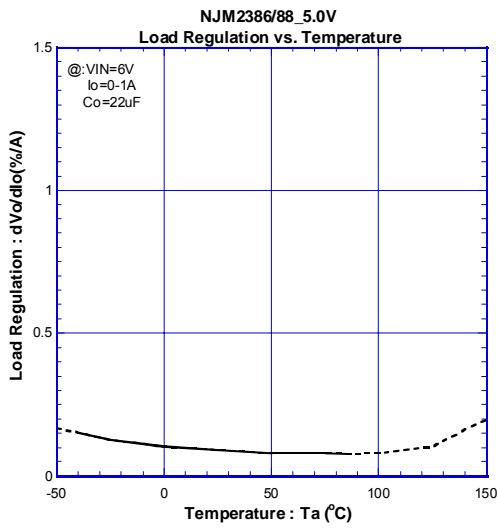


TYPICAL CHARACTERISTICS

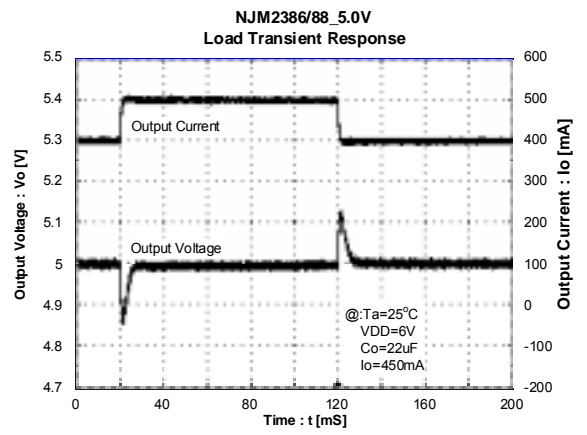
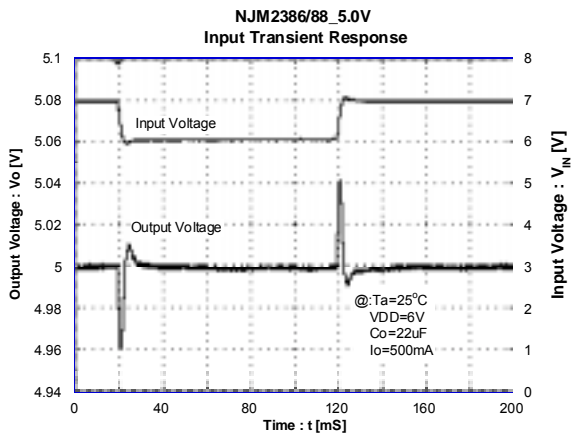


NJM2386/88

TYPICAL CHARACTERISTICS



TYPICAL CHARACTERISTICS



[CAUTION]

The specifications on this databook are only given for information, without any guarantee as regards either mistakes or omissions. The application circuits in this databook are described only to show representative usages of the product and not intended for the guarantee or permission of any right including the industrial rights.